



## 50mm Extruded Vision Roller Shutter

(Commercial)



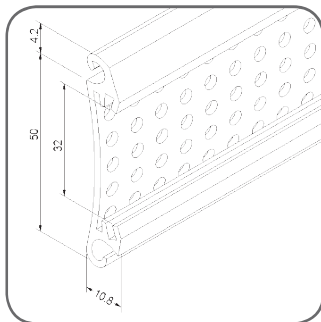
This roller shutter range is made with a precision extruded roller shutter profile, with approximately 20% vision and ventilation perforations, and is suitable for many commercial and industrial grade applications.

### Suitable Applications

- Commercial Windows.
- Commercial Shop Fronts & Doorways.
- Garage Doors.
- Security for Factories, Warehouses, Clubs, Pubs & Hotels, Restaurants, Pharmacies, Sports Complexes, Arcades, Shopping Mall Entrances & Shopping Centre Grilles.

### Features

- High quality, strong aluminium alloy construction.
- Commercial grade single wall extruded profile for heavy duty strength.
- Vision and ventilation perforations for airflow and light.
- High quality powder coated finish for maximum abrasion resistance.
- Perforated and curved face profile.
- Roll-tight design.
- Range of colours.
- Heavy duty steel axle with high quality internal sealed bearings.
- Suitable for widespan widths up to 5500mm.
- Can be manually operated or motorised.
- Made in Australia.



### Technical Specifications

Maximum Shutter Width	5500mm
Maximum Shutter Height	3000mm
Maximum Surface Area	9m <sup>2</sup>
Curtain Weight/Metre <sup>2</sup>	8.5kg
Number Of Slats/Metre	20
Profile Slat Covering	50mm
Profile Slat Thickness	10.8mm
Axle Types	Octagonal Steel
Bottom Bar Dimensions	67mm x 10mm
Guide Dimensions	68mm x 25mm/18mm
Paint Finish	High Quality Powder Coat Finish

\* CW Products recommends the use of Photo Safety Cells and a Safety Brake when installing automated roller shutters over openings and doorways. Especially when the roller shutter is not in full view of the operator (eg. when using a remote control or wall switch positioned away from the roller shutter and out of view). When using a wall switch, we recommend a spring return switch/deadman switch.



# Made To Measure Roller Shutters

## Pelmet Sizes & Maximum Shutter Height

### Standard Slat Locks

Pelmet Box Size	Max. No. Of Slats	Max. Shutter Height (Including Pelmet)	Axle Size
180mm	33	1750mm	70mm
205mm	44	2350mm	70mm
230mm	56	2950mm	70mm
250mm	70	3700mm*	70mm
250mm	64	3350mm*	101mm with adaptor
250mm	55	2900mm	130mm with adaptor

\* Measurement exceeds recommended maximum shutter height. May be allowed if other technical specifications are met. Check with your local CW Products representative.

### Winged Slat Locks

180mm	23	1250mm	60mm
180mm	17	950mm	70mm
205mm	36	1900mm	70mm
230mm	44	2300mm	70mm
250mm	50	2600mm	101mm with adaptor

## Roller Shutter Colour Options

Profiles	Pelmets/Side Frames/Guides/Bottom Bars
Cream	Cream
Clear Beige	Magnolia Cream
White	Clear Beige
Anodised Silver	White
	Grey
	Brown
	Black
	Woodland Grey
	Powder coated options available (additional charges apply)

## Control Options

### Manual Options



Steel Cable Winder (Up To 50Kg)



Spring Loaded With Key Lock



Remote Control With SolarSmart™ Plus Automation 12V Motor (Up To 50Kg)



PowerSmart™ Control System With 12V Motor (Up To 50Kg)\*



Wall Switch With 240V Electric Motor



Remote Control With 240V Electric SIMU Hz Motor

### Motorised Options (continued)



Key Switch With 240V Electric Motor



Crank Handle With 240V Electric Manual Override Motor



Remote Control (Key Ring Transmitter) With 240V Electric Motor & Multi-Function SIMU RSA Hz Radio Receiver & Control Unit

\* When used in conjunction with an assist spring as per CW Products specifications.

To order please complete a CW Products Made To Measure Roller Shutter Order Form.